

## DATA SHEET

# EVO TANK 16.000 lumen

STAINLESS STEEL AISI 316L  
ALUMINIUM 6082



Evo Tank is a special model of underwater light for installations in tanks and bulbs.

It indeed has the same lighting characteristics of the other lights of our collection without interrupting the sequence on the sides of the boat where the tanks are.

The Sea Led Evolution Series is the upgrade of the line of underwater lights by the Cantalupi Group.

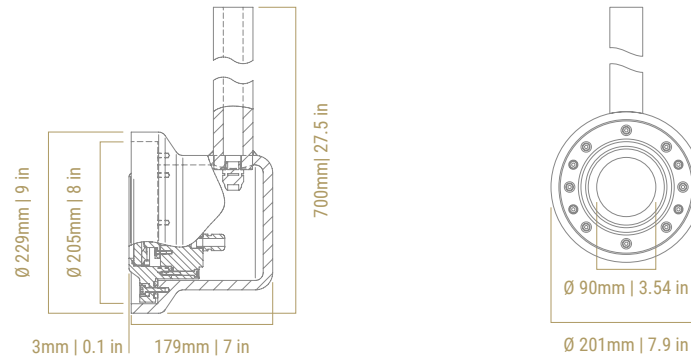
It's designed to achieve first-class lighting performance and to ensure the safety of the boat.

### LIGHT TECHNICAL DATA

Power	96W
Current / Amp draw	2A @ 48Vdc
Fixture Lumens	16000 @ 70°
CCT	5700 K
Beam Angle (degrees)	wide 100° / medium 70° / narrow 35°
Power Supply	110-220VAC-48VDC
Dimming	DALI, DMX, MODBUS, (0-10)

### FEATURES

Flange Material	<b>Stainless Steel</b> AISI 316L <b>Aluminium</b> 6082
Width dimensions	Ø 229 mm / 9 in
Light dimensions	179 mm / 7 in
Heatsink	Aluminum 6082
Glass	Protective Tempered Clear Glass
Protection	Yes
Water Ingress Protection Rating	IP68
Light Cable Length	3mt / 9' 8" (Standard)



### STAINLESS STEEL AISI 316L

**Narrow Beam:** 90 SEALE WHTETANK SS NB  
**Medium Beam:** 90 SEALE WHTETANK SS MB  
**Wide Beam:** 90 SEALE WHTETANK SS WB

### ALUMINIUM 6082

**Narrow Beam:** 90 SEALE WHTETANK AL NB  
**Medium Beam:** 90 SEALE WHTETANK AL MB  
**Wide Beam:** 90 SEALE WHTETANK AL WB

### DRIVER

for select your driver  
 choose on page: 66

## DIFFERENT BEAM SELECTION

